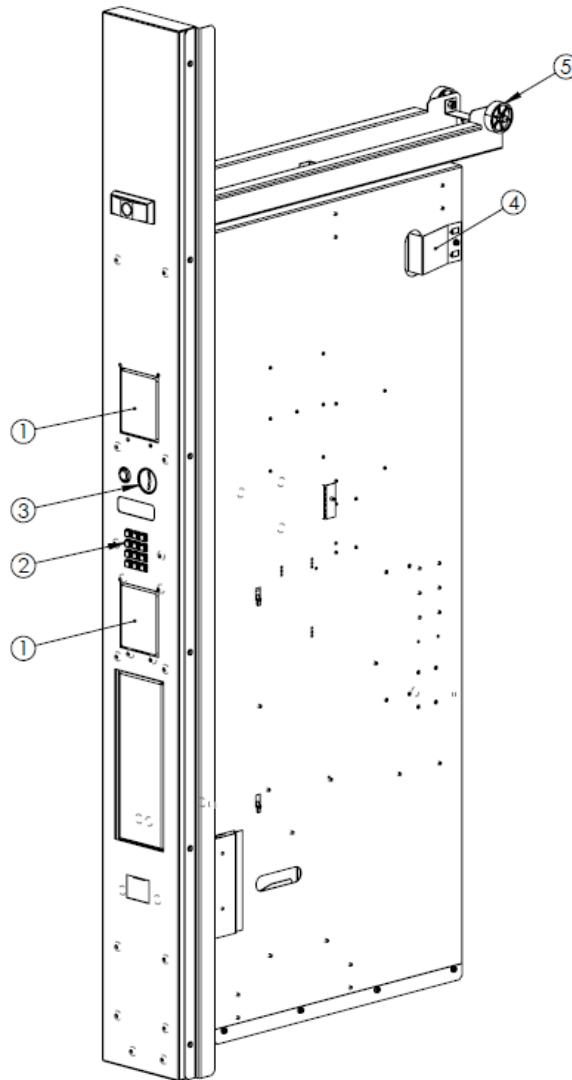


GF9-H

DRAWER COMPONENTS

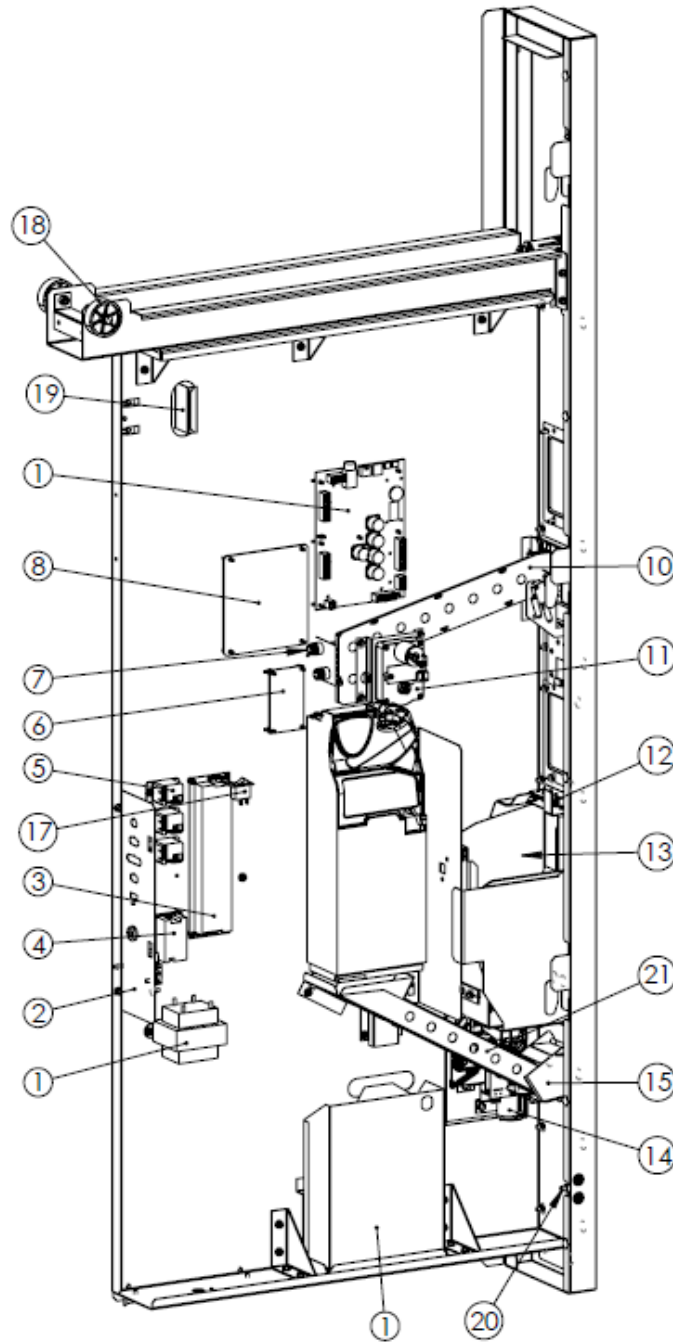
DRAWER ASSEMBLY OUTSIDE



ITEM NO	DESCRIPTION	QTY	PART NO
	Side Drawer Assembly	1	1235478-10
1	DBV Filler Plate, Black	2	1258524
1	DBV Filler Plate, Silver	2	2000856-SLVR
2	Keypad	1	1217184
~	Bracket, Keypad Support	1	1217193
3	Coin Insert Assembly	1	SEE PAGE A-9
4	Drawer Lock Bracket	1	1220297
7	Roller Wheel	2	1280336

~Not Shown in the picture

DRAWER ASSEMBLY INSIDE

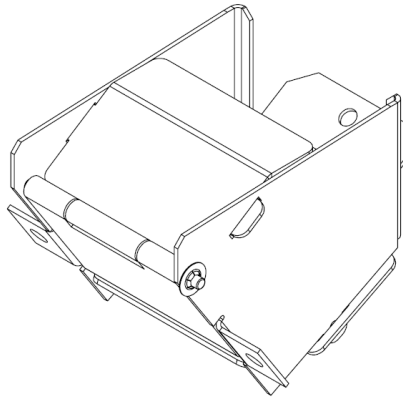


ITEM NO	DESCRIPTION	QTY	PART NO
	Side Drawer Assembly	1	1235478-10
1	Transformer, 115/24	1	1111201
2	Plate, Power Cord, Harness	1	1280595
3	Power Supply, 24VDC	1	1221374

4	Power Supply, 8.25V	1	1223539
5	Relay, R290	3	1261363
6	Relay Board	1	1241494
7	Fuse Holder	2	1128474
8	Delivery Mech Control Board (DMC)	1	1222498
9	Vend Mech Control Board (VMC)	1	1279786-22.xx
10	Coin Return Mechanism	1	See page A-6
11	Coin Return Motor Mechanism	1	See page A-5
12	Bucket Tunnel / LED Assembly	1	See page A-8
13	Bucket Assembly	1	See page A-7
14	Bucket Motor Assembly	1	See page A-6
15	Coin Return Cup	1	See page A-5
16	Coin Box	1	1088058
17	Rocker Switch (on power supply cover)	1	1187843
18	Roller Wheel	2	1280336
19	Lock Bracket	1	1220297
20	Switch, DPDT	1	1280565
21	Coin Chute Assembly	1	1251562-10
~	Fuse, 0.8A/250V, 3AG Slo-Blow	2	1503864
~	Power Supply Cover	1	1280356

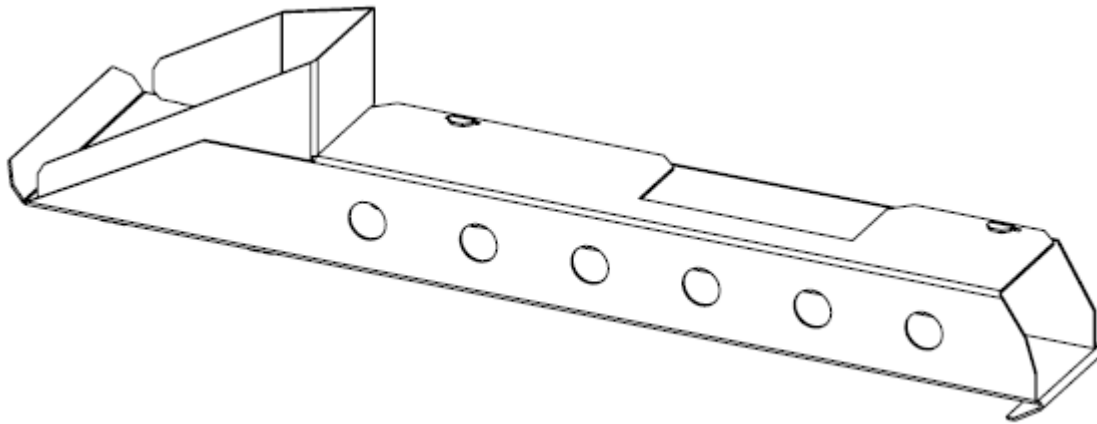
~Not shown in the picture

COIN RETURN CUP



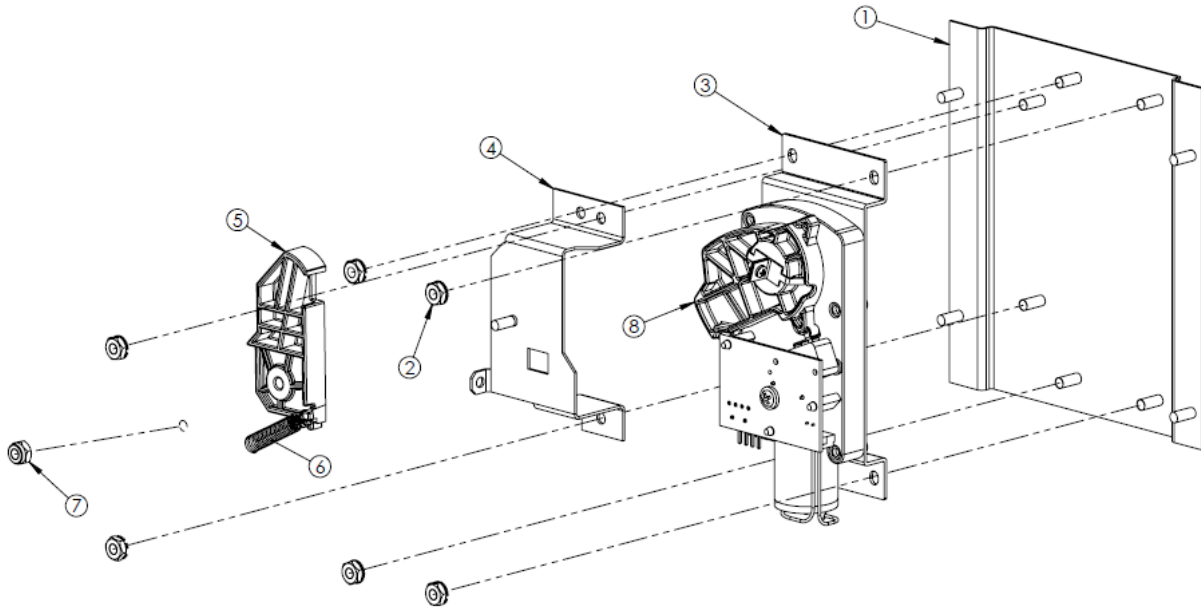
ITEM NO	DESCRIPTION	QTY	PART NO
	Coin Return Cup Assembly	1	1215804

COIN CHUTE ASSEMBLY



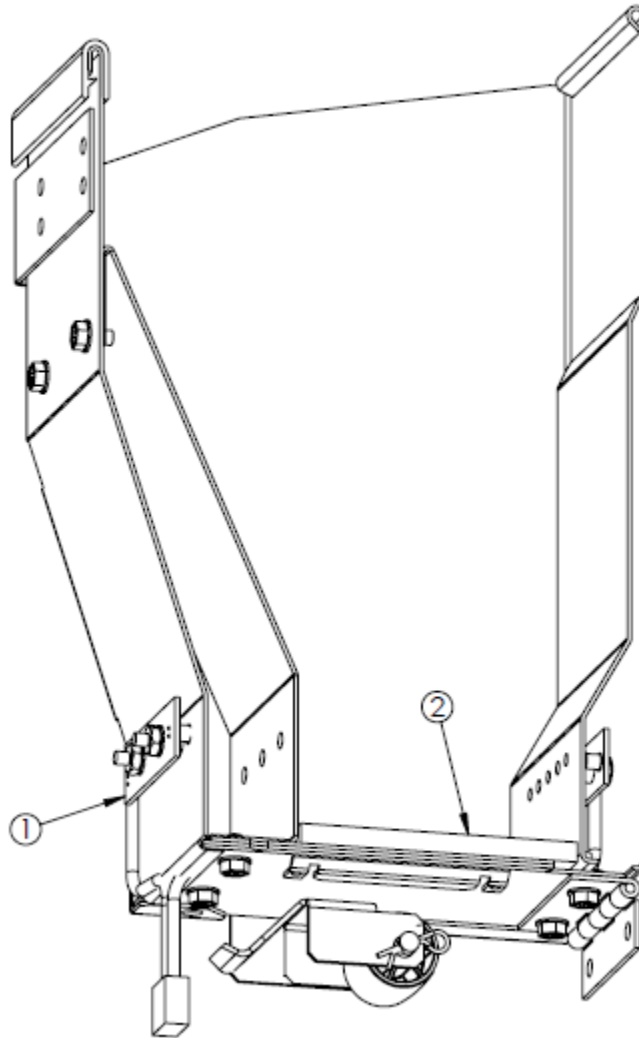
ITEM NO	DESCRIPTION	QTY	PART NO
	Assembly Coin Chute, Lower, GF9-H	1	1251562-10

BUCKET MOTOR ASSEMBLY



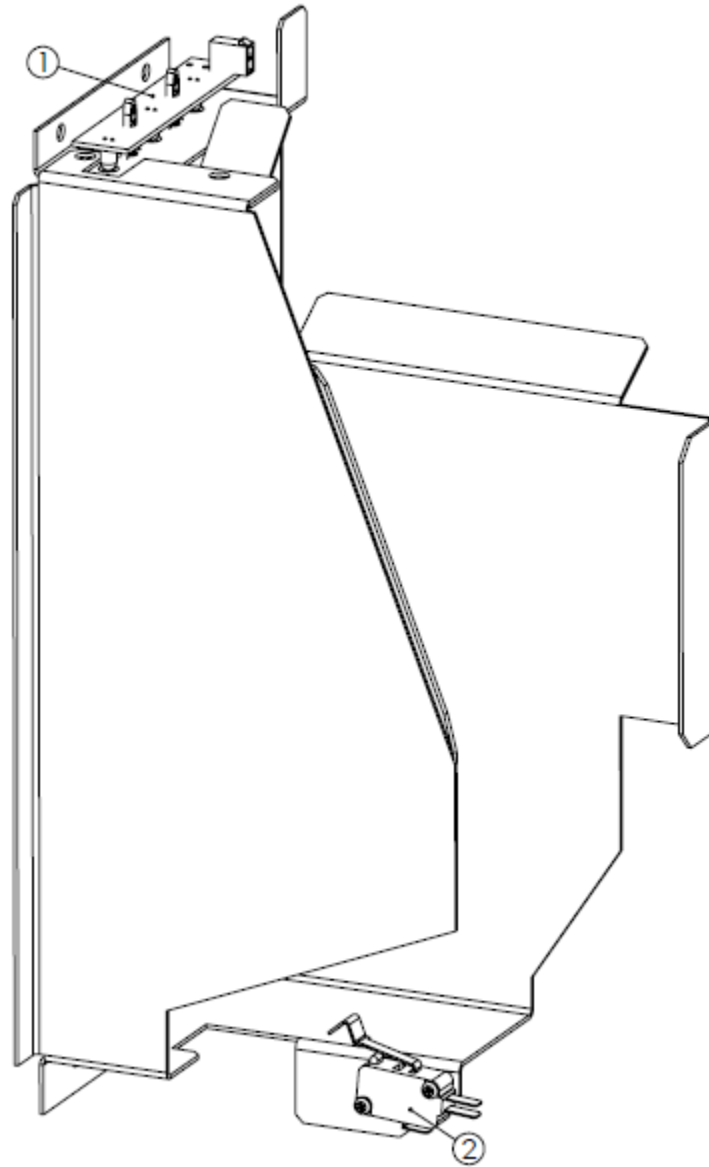
ITEM NO	DESCRIPTION	QTY	PART NO
-	Bucket Drive Motor Assembly	1	1235362-10
1	Bracket, Bucket Motor Drive	1	1280465
2	Nut, #8-32	6	V800952
3	Assembly, Motor, Delivery Bucket (includes Cam, item 8)	1	1229036
4	Latch Support, Bucket	1	1173569
5	Cam, Bucket Lock	1	1221042
6	Spring	1	390326
7	Nut, Nylock, #10-32	1	V802113
8	Kit, Bucket Cam and Hardware	1	1280627

BUCKET ASSEMBLY



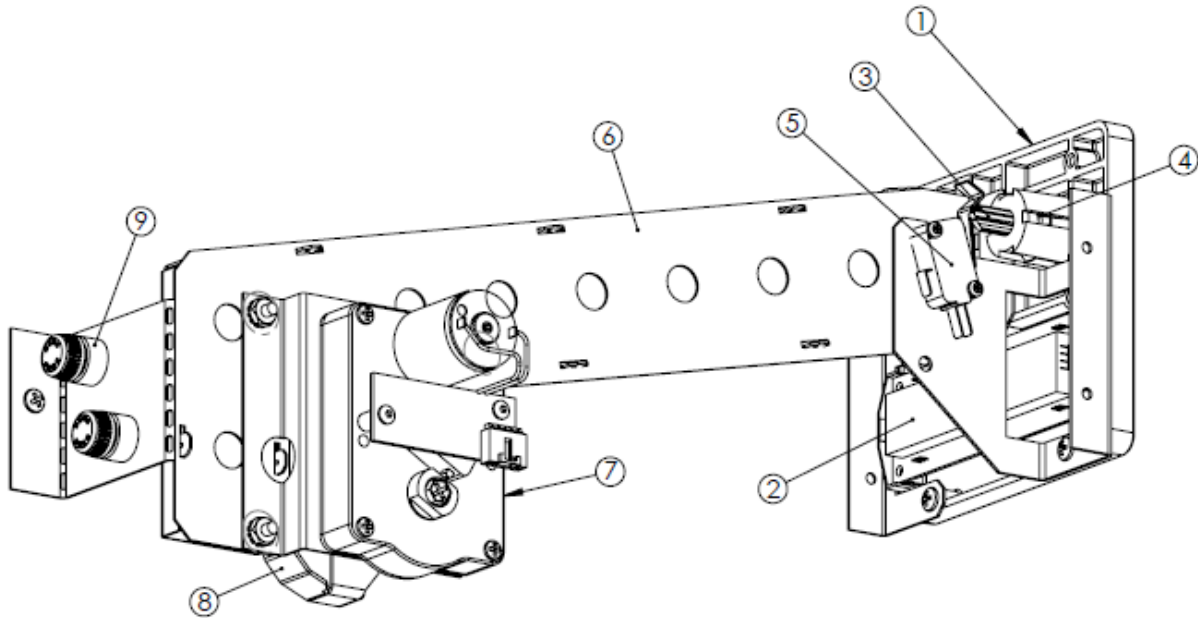
ITEM NO.	DESCRIPTION	QTY	PART NO
	Assembly, Bucket (Black)	1	1256637-10
	Assembly, Bucket (Silver)		1256637-11
1	Optic Detector, GF9-H	1	1280566
2	Pad, Bucket Assembly	1	1223833

BUCKET TUNNEL



ITEM NO.	DESCRIPTION	QTY	PART NO
	Assembly, Bucket Tunnel (Black)	1	1256688-10
	Assembly, Bucket Tunnel (Silver)		1256688-11
1	PCBA, Hopper Illumination LEDs	1	1130698
2	Switch	1	337576

DISPLAY / COIN INSERT



ITEM NO.	DESCRIPTION	QTY	PART NO
1	Coin Insert		1125367
2	(Standard) Display Board, LCD,2x20 (Option) VFD High Bright, 2x20*	1	1249924 1214727
3	Button, Coin Return	1	1050473
4	Spring, Selection	1	1029959
5	Switch, Selection	1	337576
6	Coin Chute Assembly	1	1235427
7	Gear Motor	1	1128802
8	Bracket, Cam Refund	1	1232738
9	Fuse Holder	2	1128474
~	Fuse, 0.8A/250V, 3AG Slo-Blow	2	1503864

~Not shown in the picture

*Option for High Brightness Display