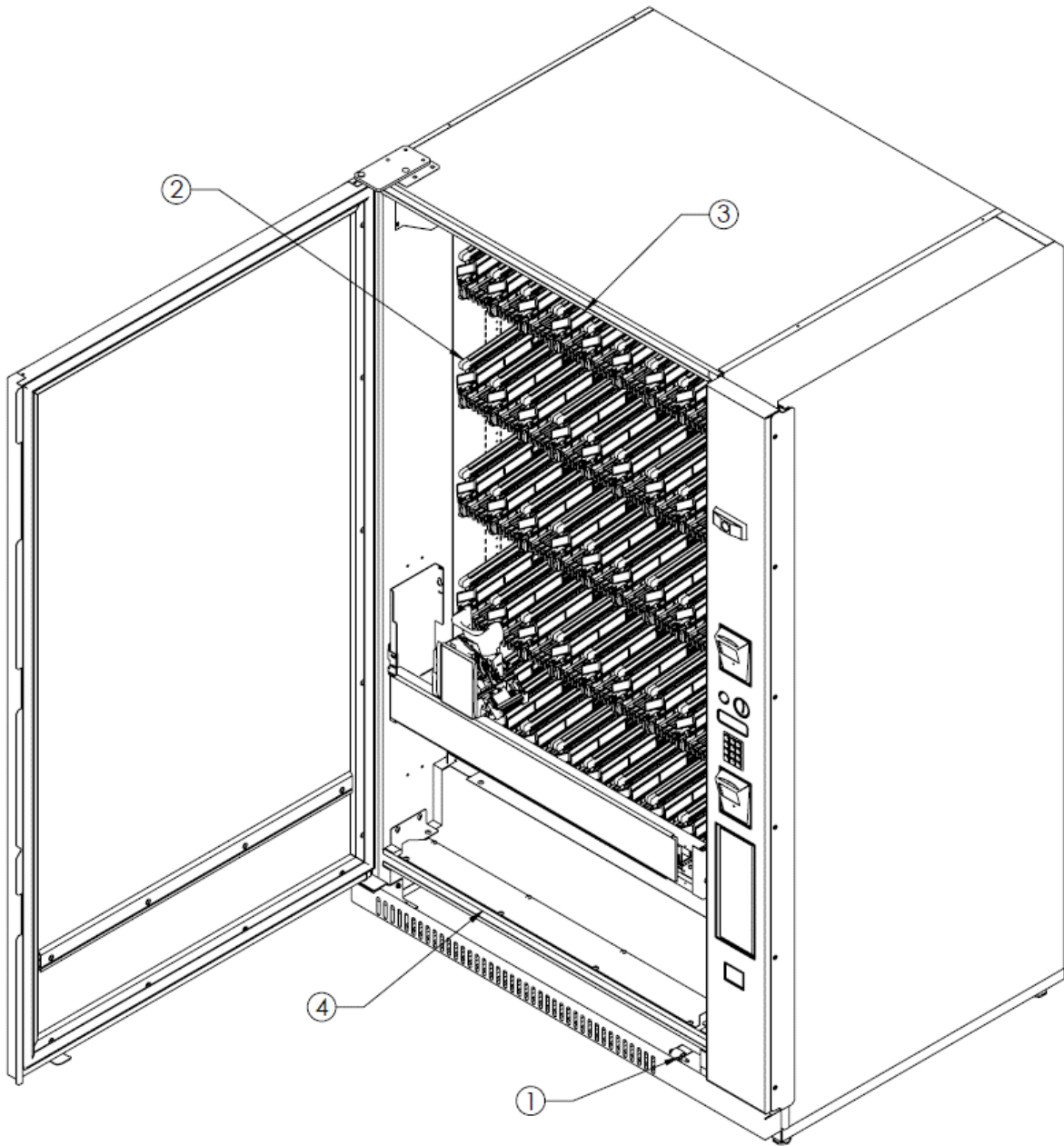


# **GF9-H**

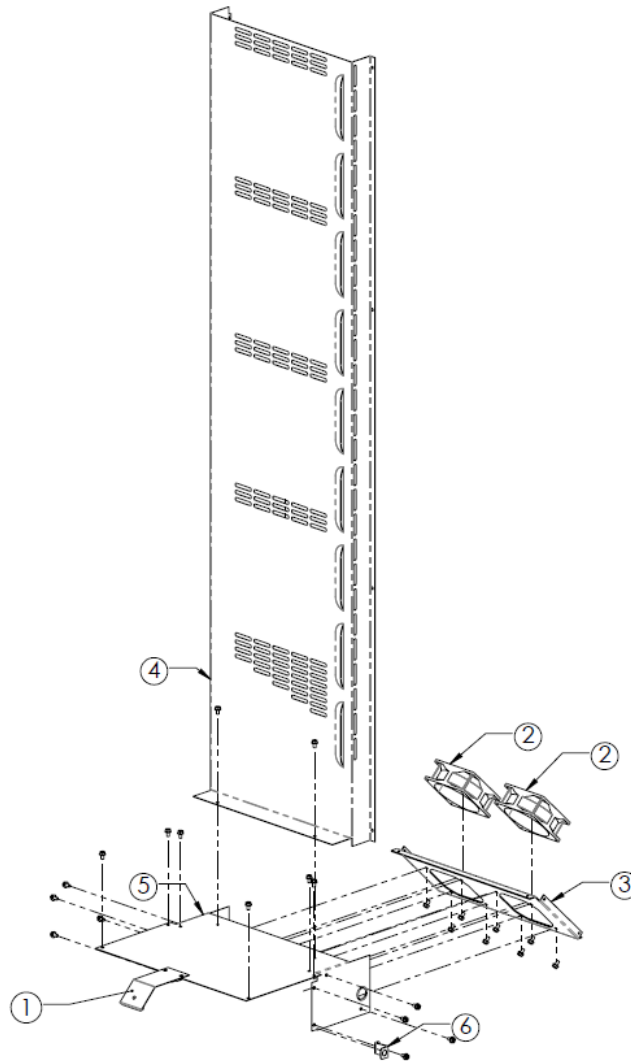
## **CABINET SECTION**

**DOOR OPEN**



ITEM NO	DESCRIPTION	QTY	PART NO
1	Assembly, Door Align Wheel	1	1280367
2	Shelf Assembly	5	1221605-10
3	LED Lighting (lens not included)	1	1227476
4	Assembly, L Panel	1	1280416

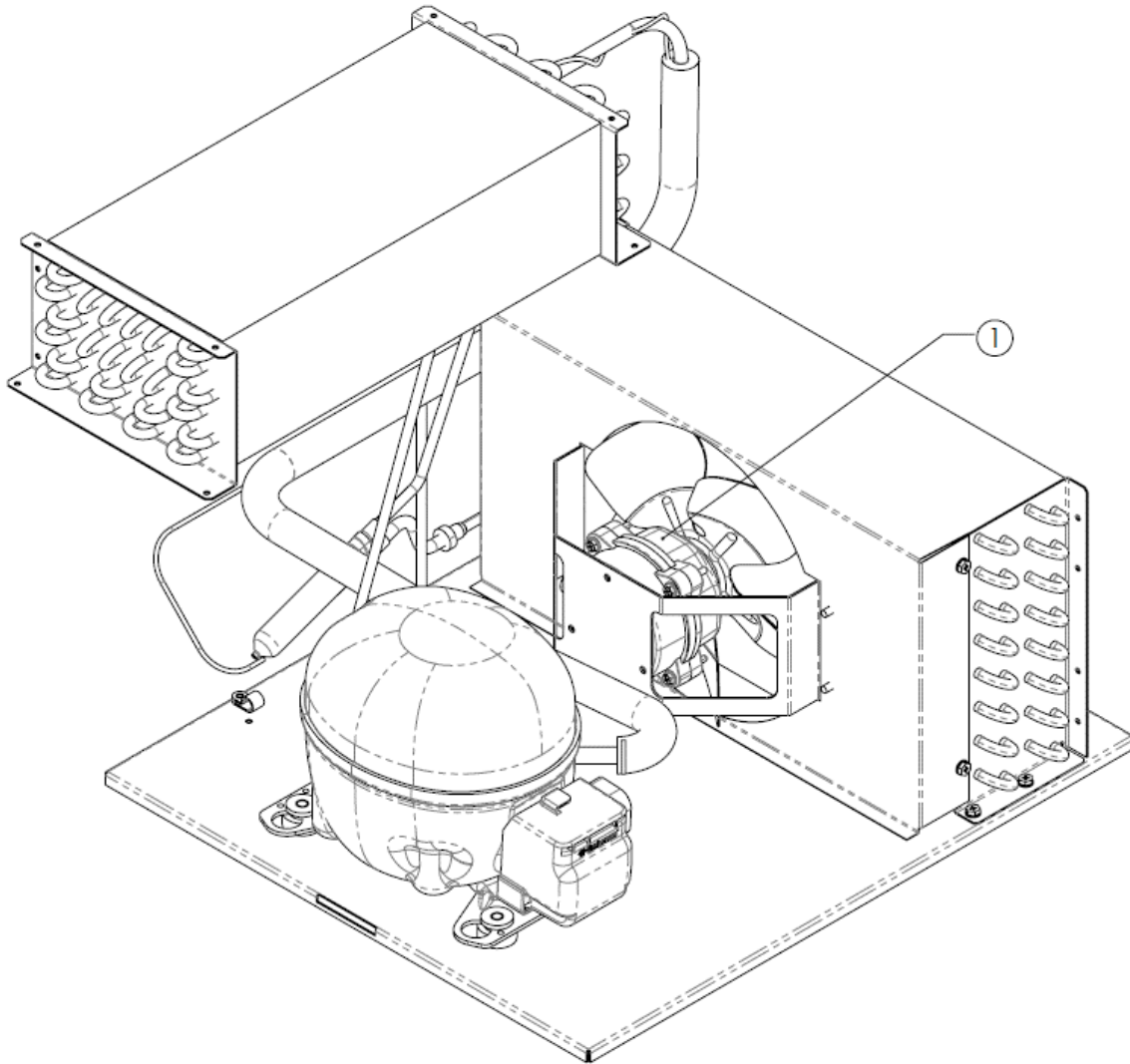
### AIR DUCT



ITEM NO	DESCRIPTION	QTY	PART NO
	Assembly, Air Shroud	1	1280546
1	Assembly, Temperature Sensor	1	1124254
2	Box Fan, Evaporator – GF9-H	2	1280399
3	Bracket, Fan Motor Mounting, GF9-H	1	1280538
4	Vertical Air Duct, GF9-H	1	1280412

5	Evaporator Duct, GF9-H	1	1280539
6	Steady Hook, Evaporator, GF9-H	1	1280589

**REFRIGERATION UNIT**



Drawing Reference Only

ITEM NO	DESCRIPTION	QTY	PART NO
	Refrigerator, 115v / 60 Hz – R290	1	1280569
1	EC Motor, SW 115-240V 50/60 Hz	1	1279999