

5. Monitor LEDs

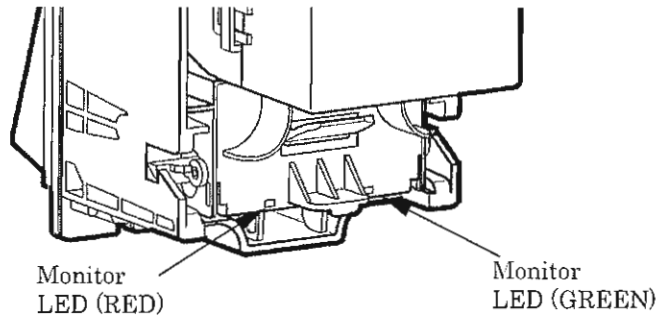
ESS series has self-diagnostics function and monitor LED of two colors.

In case of malfunction, you can determine the appropriate step by confirming monitor LED.

ON · · · ○, BLINK · · · ☆, OFF · · · —

RED	GREEN	Meaning	Action
—	○	Normal	None
—	☆	Functionality Reduced	Clean Belt and/or Sensors.
☆	—	Bill Jamming	Pull off the chute, and then remove jammed bill.
○	☆	Stacker Full	Remove all bills in the stacker, and close the stacker cover. Or, take the stacker off and remove all bills, and put the stacker on securely.
☆	☆	Stacker Off	Put the stacker on securely.
○	—	Other Error	If there is jammed bill or other substance at bill path or stacker compartment, remove it. Then, press the maintenance switch.
☆	○	Communication Error	Make sure the connection of communication harness is tight.

When the malfunction will not be cleared by the above action, please turn the power off and on again.



6. Option Switch Setting

Turn off vending machine power before changing the option switch setting.

	Name	Function
SW1	\$5 Enable Switch	ON: \$5 Enable OFF: \$5 Disable
SW2	Coupon Enable Switch (Planning)	ON: Coupon Enable OFF: Coupon Disable
SW3	High Security	ON: High Security OFF: High Acceptance
SW4	Reserved	N/A



SANDEN

Delivering Excellence

OPERATION MANUAL

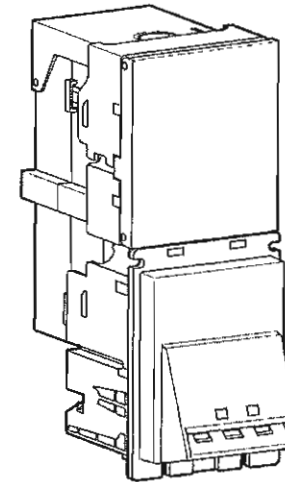
Bill Validator

ESS-AUDM SERIES

- To obtain the best performance from your SANDEN Bill Validator, read this manual first.
- After reading this manual, please keep it in a convenient location so you can refer to it as necessary.

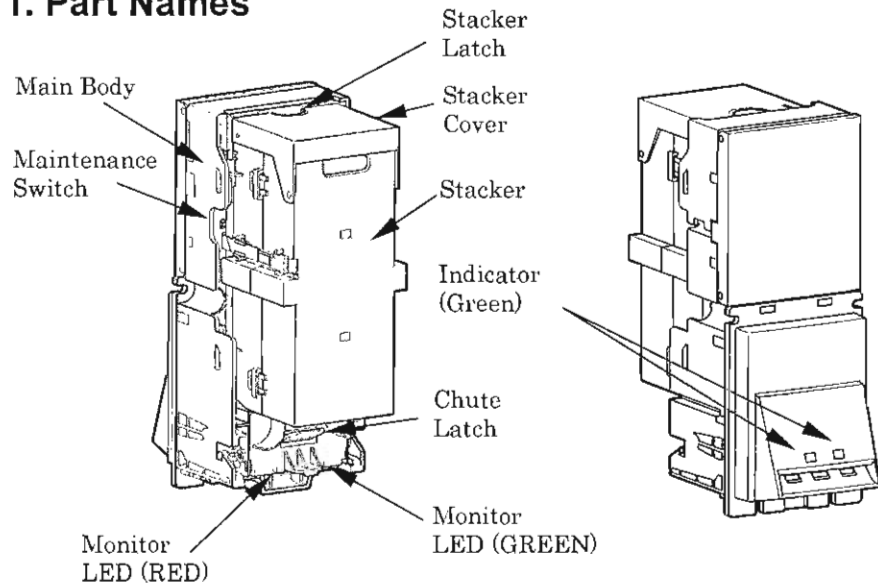
TABLE OF CONTENTS

1. Part Names
2. Specification
3. Handling Caution
4. Clearing Jams and Doing Maintenance
5. Monitor LEDs
6. Option Switch Setting



SANDEN Corporation

1. Part Names



2. Specification

Bills Accepted	US \$1, \$5, Coupon(*Note 1)
Escrow	One bill
Stacker Capacity	Approximately 500
Bill Insertion	Lengthwise, four way (face up or down, either direction)

*Note 1: In Planning

3. Handling Caution

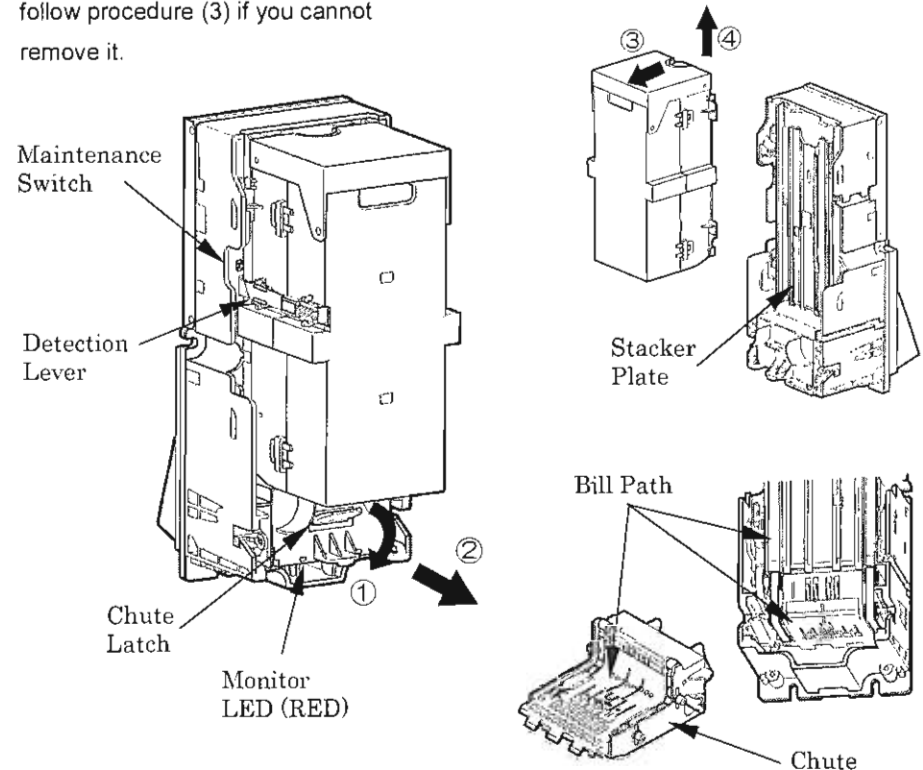
To obtain the best performance from your SANDEN Bill Validator, please pay attention to the following.

- (1) When a wet, wrinkled, folded, or dirty bill is used, it may cause bill jamming or a bad acceptance rate.
- (2) When a strong shock is applied, or the bill validator is dropped, it may cause malfunction.
- (3) When the bill validator is used in an environment with high temperatures, high humidity, or heavy dust, the acceptance rate may be reduced due to the dirt. Check or clean it based on the volume of usage.

4. Clearing Jams and Doing Maintenance

A jam that indicates a bill or other substance is clogged up is indicated by the monitor LED(red) turning on or flashing. Please check it by using the following procedure.

- (1) Pull the chute to this side (arrow ②) while holding the chute latch below (arrow ①).
- (2) When there is jammed bill or other substance, please remove it. Please follow procedure (3) if you cannot remove it.
- (3) Take stacker off the main body by pulling up (arrow ④) while holding stacker latch in an arrow ③ direction.
- (4) Please remove the bills in stacker.



- (5) Please check whether a bill path of the validation compartment has a jammed bill or other substance. When it is clogged up, please remove it.
- (6) If maintenance is completed, please replace each compartment.
- (7) If the monitor LED (red) turns on when the stacker is replaced, please press the maintenance switch.