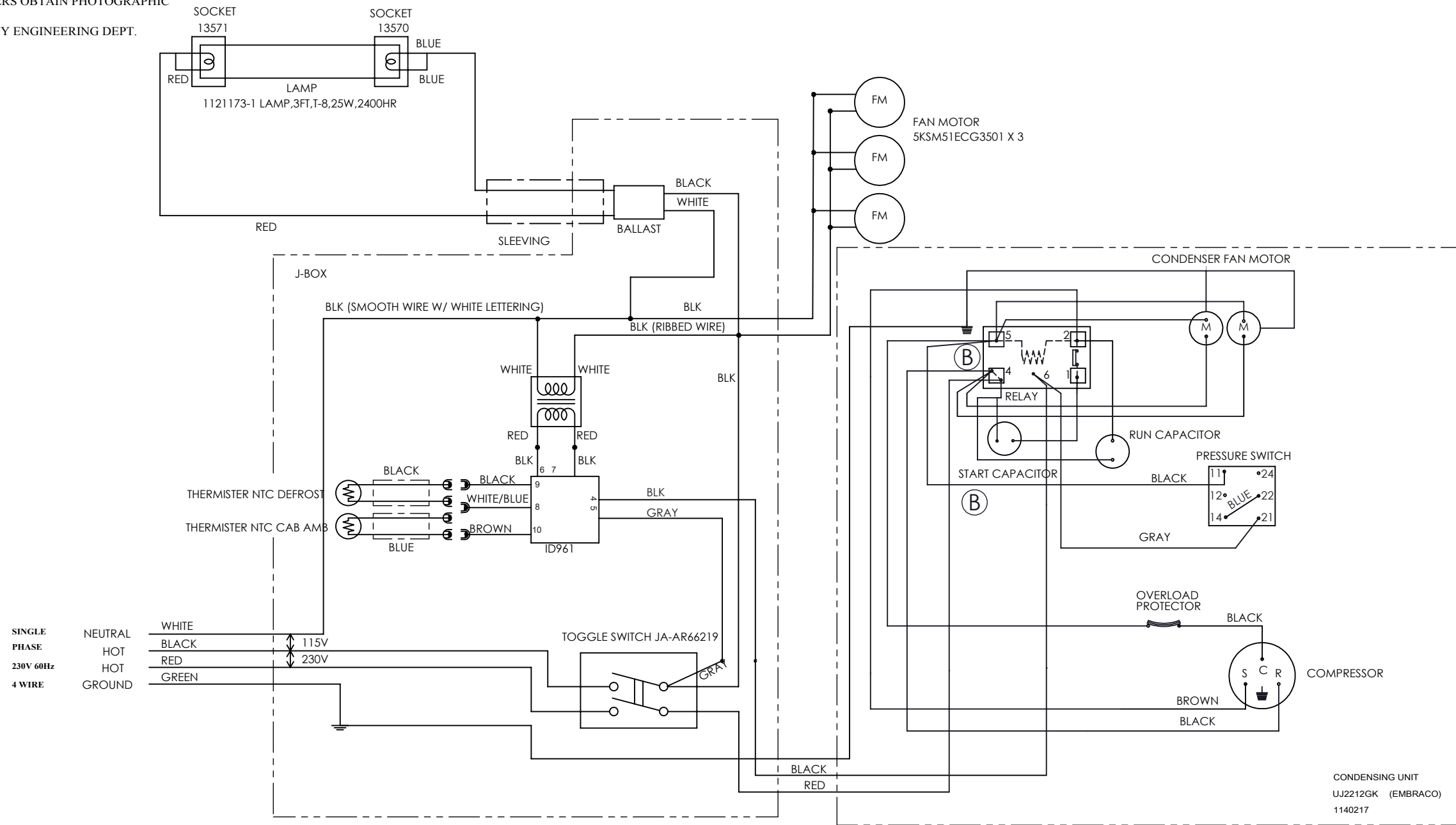


- MATERIAL TO BE POLYESTER FILM WITH PRESSURE SENSITIVE ADHESIVE APPLIED TO BACK SIDE.
- TEXT AND CHARACTERS TO BE BLACK ON WHITE BACKGROUND.
- LABEL TO HAVE .25 IN. MINIMUM BORDER AROUND ENTIRE PRINTED AREA (8 X 10.5 IN. APPROX. OVERALL SIZE).
- FOR DETAILS OF TEXT AND CHARACTERS OBTAIN PHOTOGRAPHIC FACIMILE FROM THE VENDO COMPANY ENGINEERING DEPT.

REVISIONS					
ECN. NO.	ZONE	DWG REV	DESCRIPTION	DATE	APPROVED
49565	~	A	DRAWING RELEASE	09/06/07	RSW
49703	~	B	WIRE TERMINATION WRONG LOCATION, UPDATE	10/12/07	RSW
~	~	~	~	~	~
~	~	~	~	~	~



WIRING DIAGRAM

THIRD ANGLE PROJECTION



CRITICAL CHARACTERISTIC SYMBOLS

- <A> APPEARANCE
- <C> CRITICAL DIMENSION
- <F> FIT / FUNCTION
- <S> SAFETY

3

2

1

UNLESS OTHERWISE SPECIFIED DIMENSIONS ARE IN INCHES. TOLERANCES ON:  
 1 PLACE DECIMALS ± .1  
 2 PLACE DECIMALS ± .030  
 3 PLACE DECIMALS ± .010  
 ANGULAR ± 1°

MATERIAL SEE NOTE 1  
 FINISH XX

APPROVALS	DATE
DRAWN RSW	09/06/07
ENGR' RSW	09/06/07

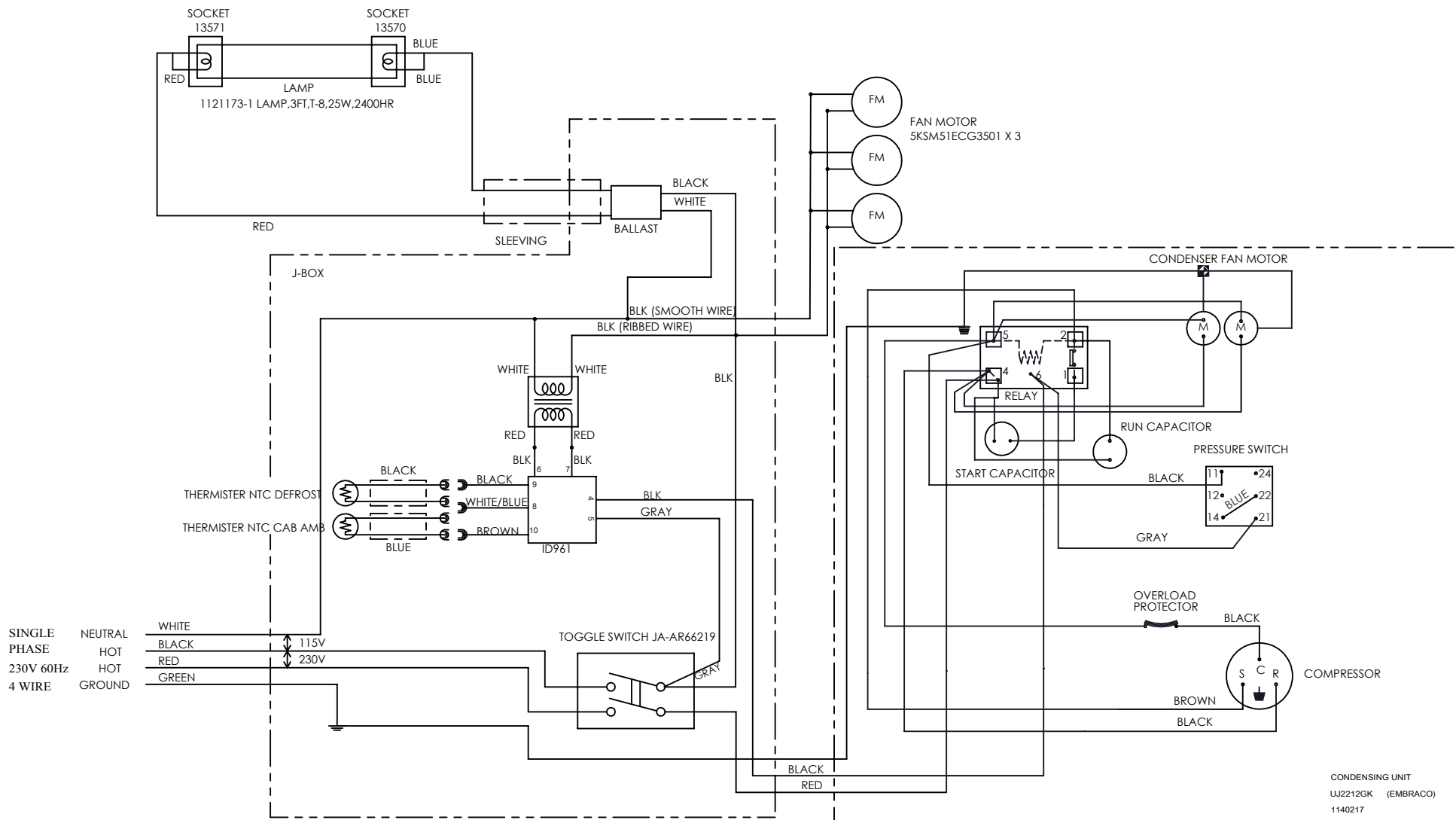
This drawing or specification is CONFIDENTIAL and data herein is not to be revealed to any party without the prior written consent of SANDENVENDO AMERICA. No duplication is permitted and it must be returned to SANDENVENDO AMERICA upon demand.

**Vendo** SANDEN SANDEN VENDO AMERICA, INC.

TITLE: LABEL, WRING DIAGRAM  
 1504

SIZE B PART REV A DWG. NO: 1153705

SCALE 1:1 Solidworks SHEET 1 OF 2



WIRING DIAGRAM